

KM-901M_H(3)

MODULAR CRESCENT CUBER

Item # _____

Project: _____

Qty: _____

*AutoCad available on KCL

KM-901M_H(3)

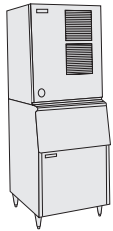
04/04/16

Item #13223

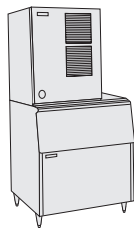
CUBER DIMENSIONS

W x D x H

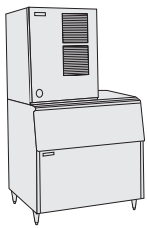
KM-901M_H(3)
30 x 27^{3/8} x 37^{7/16}



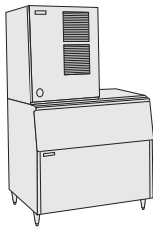
B-500



B-700



B-800



B-900

Also available on Large Bins:

B-1150SS

B-1300SS

B-1500SS

B-1650SS



KM-901MAH

Air-Cooled

Shown on an optional
B-900

KM-901MWH

Water-Cooled

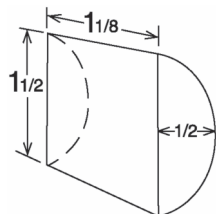
KM-901MRH

Remote Air-Cooled 1 Phase

KM-901MRH3

Remote Air-Cooled 3 Phase

*KM CUBE DIMENSIONS



*approximate size in inches, image not to scale

- Up to 928 lbs. of ice production per 24 hours
- Durable stainless steel exterior
- Individual crescent cube
- Protected by H-GUARD Plus Antimicrobial Agent
- CycleSaver™ Design
- EverCheck™ alert system
- Stainless steel evaporator
- Removable air filters (Air-cooled model only)
- R-404A Refrigerant



Warranty

Valid in United States, Canada, Puerto Rico, & U.S. Territories. Contact factory for warranty in other countries.

Three Year - Parts & Labor on entire machine.

Five Year - Parts & Labor on: Evaporator.

Five Year - Parts on: Compressor, air-cooled condenser coil.



© HOSHIZAKI AMERICA, INC.



HOSHIZAKI

DIMENSIONS
W x D x H
KM-90IM_H(3)
30 x 27^{9/16} x 37^{7/16}

- Air-cooled
- Water-cooled
- Remote Air-cooled 1 Phase
- Remote Air-cooled 3 Phase

KM-90IM_H(3) MODULAR CRESCENT CUBER

AIR-COOLED

Water Temp° F.	50°	70°	90°
Air Temp° F. 70°	920	889	841
Air Temp° F. 80°	896	847	797
Air Temp° F. 90°	889	813	762

WATER-COOLED

Water Temp° F.	50°	70°	90°
Air Temp° F. 70°	928	909	857
Air Temp° F. 80°	914	885	817
Air Temp° F. 90°	909	864	802

REMOTE AIR-COOLED 1 PHASE / 3 PHASE

Water Temp° F.	50°	70°	90°
Air Temp° F. 70°	889 / 899	859 / 874	803 / 817
Air Temp° F. 80°	866 / 880	818 / 842	755 / 772
Air Temp° F. 90°	859 / 874	785 / 815	724 / 749

UTILITY CONSUMPTION

Model Number	Ice Production Per Cycle		KWH per 100 LBS.	Potable Water Gal. per 100 lbs.	Condenser Water Gal. per 100 lbs.
	Lbs.	Cubes			
KM-901MAH	14.2	720	5.1	16.0	N/A
KM-901MWH	13.7	720	4.5	20.8	128
KM-901MRH	13.5	720	5.4	19.3	N/A
KM-901MRH3	14.2	720	5.4	18.0	N/A

SPECIFICATIONS

Model Number	Condenser	Amperage	Min. Circuit Ampacity	Shipping Weight
KM-901MAH	Air-Cooled	11.4	20	256 lbs.
KM-901MWH	Water-Cooled	8.7	15	249 lbs.
KM-901MRH	Remote A-C 1 Phase	11.6	20	249 lbs.
KM-901MRH3	Remote A-C 3 Phase	7.0	20	258 lbs.

STORAGE BINS

Model Number	AHRI-Rated Storage Capacity*
B-500	360 lbs.
B-700	550 lbs.
B-800	600 lbs.
B-900	660 lbs.
B-1150	900 lbs.
B-1300	950 lbs.
B-1500	1120 lbs.
B-1650	1210 lbs.

*Rated in accordance with AHRI Standard 820 (I-P)

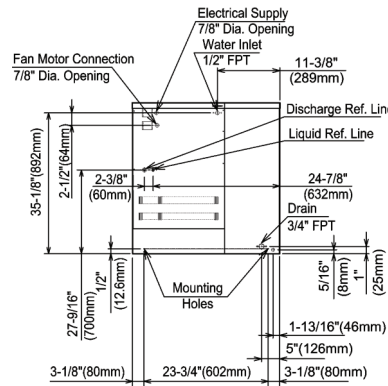
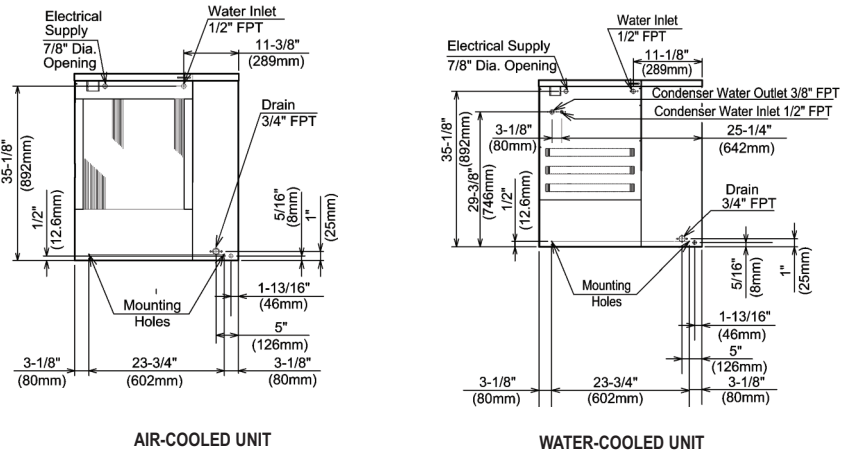
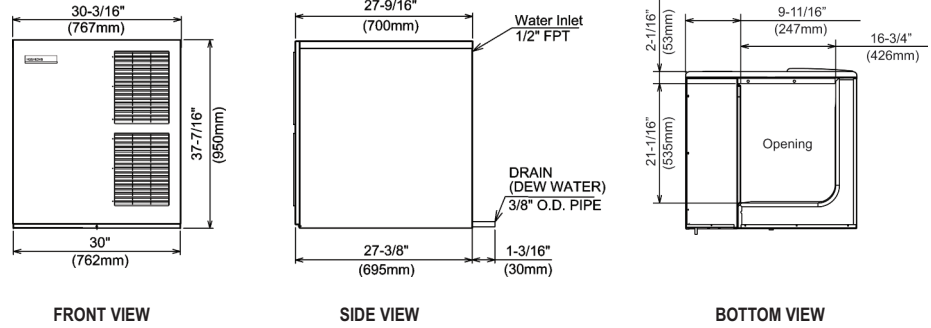
ELECTRICAL & PLUMBING/KM-90IM_H(3)

- 208-230V/60/1 / (208-230/60/3)
- 20 amp Max Fuse/HACR Breaker Size - Air-cooled units
- 15 amp Max Fuse/HACR Breaker Size - Water-cooled unit
- Ice maker Water Supply Line: Minimum 1/4" Nominal ID Copper Water Tubing or Equivalent
- Ice maker Drain Line: Minimum 3/4" Nominal ID Hard Pipe or Equivalent



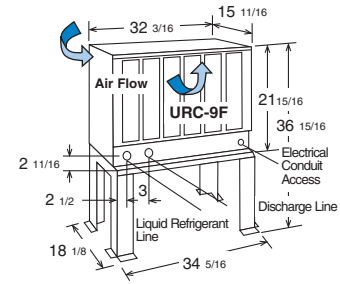
© HOSHIZAKI AMERICA, INC.

618 Hwy. 74 S., Peachtree City, GA 30269



REMOTE AIR-COOLED UNIT (1 & 3 PHASE)

URC-9F Remote Condenser (Sold Separately)
For Use with KM-901MRH & KM-901MRH3



Voltage supply for the URC Remote Condenser is supplied from the Ice Maker. No additional circuit is required.



Pre-Charged Tubing Kits (Sold Separately)
20' R404-2068-2
35' R404-3568-2
55' R404-5568-2

ELECTRICAL & PLUMBING/KM-90IM_H(3)

- Water-Cooled Model (Lines Must Be Independent of Ice maker)
- Condenser water Supply Line: Minimum 1/4" Nominal ID Copper Water Tubing or Equivalent
- Condenser Drain/Return Line: Minimum 1/4" Nominal ID Hard Pipe (open drain system) or Copper Water Tubing (closed loop system) or Equivalent.

CONDENSING UNIT

- Voltage Range 104 - 127V
- Ambient Temp Range -20 - 122°F

OPERATING LIMITS

- Ambient Temp Range 45 - 100°F
- Water Temp Range 45 - 90°F
- Water Pressure 10 - 113psig
- Voltage Range 187 - 253V

SERVICE

- Panels easily removed and all components accessible for service.
- Removable/cleanable air filters (Air-Cooled model only)



TEL 1-800-438-6087

FAX 1-800-345-1325

www.hoshizaki.com

Printed in U.S.A.